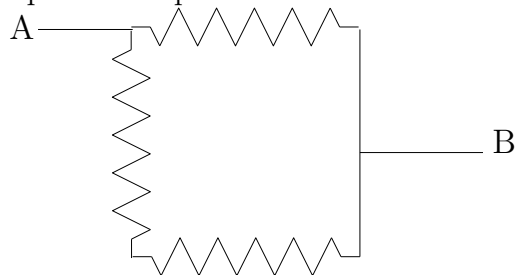
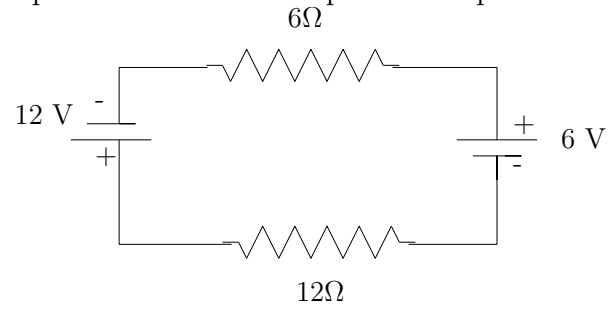


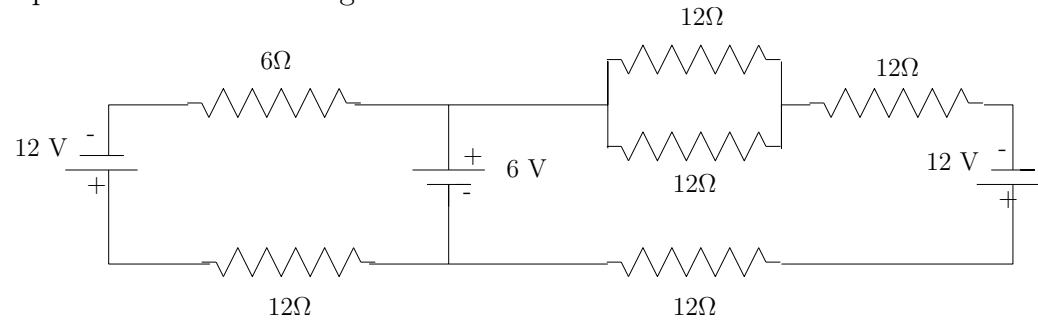
Compute the equivalent resistance between A and B if all three resistors have resistance,  $R$ .



Compute the current and power dissipated through each resistor.



Compute the current through each branch of this circuit.



Consider the following infinite ladder of identical resistors. Find the equivalent resistance between A and B.

